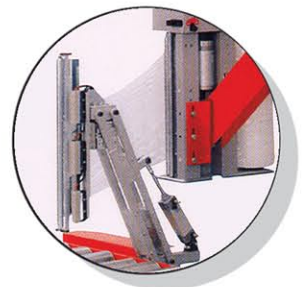


Turntable Stretch Wrapper

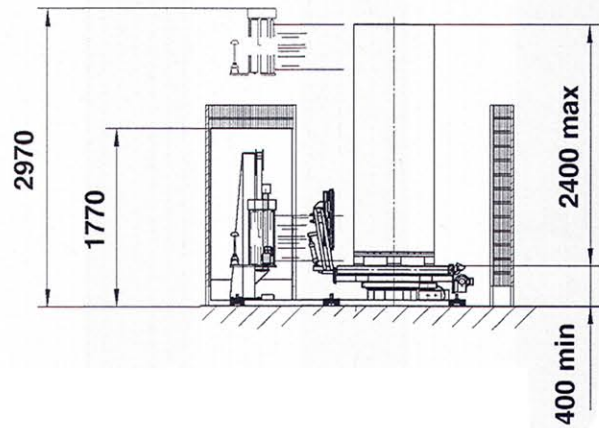
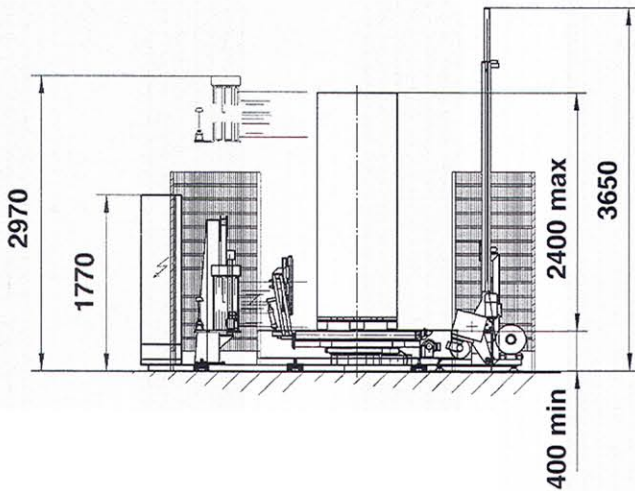
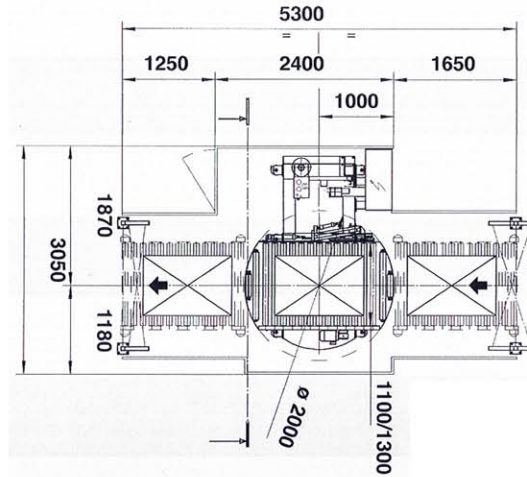
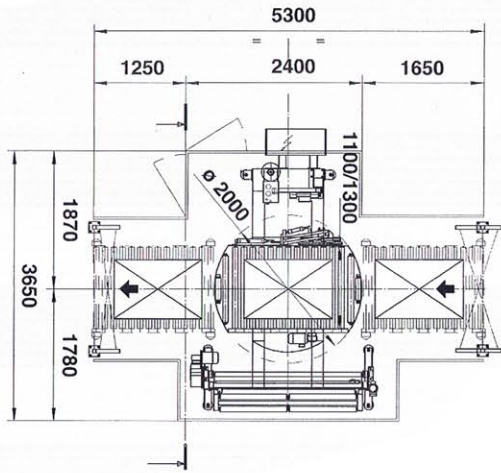


- **Patented, maintenance free stretch wrapper**
No installation costs, no chains or belts to maintain
- **Ball bearing rotating table**
With external gear toothing for easy access
- **Universal stretch film cut and clamp unit**
Automatically adjusting gripping, cutting and bonding
- **Electronic pre-stretch film carriage**
Featuring a rapid film loading system
- **Pallet anti-skid system**
Located on the turntable roller conveyor
- **Touch screen control panel**
AB Micrologic programmable control panel and PanelView 600 Plus
- **Motorized conveyor with rollers or chains**
Max. load size 51" x 43" x 86" high
- **Top cover option available**
Reel located on the ground and inside safety zones



FilmSource
INTERNATIONAL

MYTHO A



- Power supply 240/480V + 60HZ
- Pneumatic supply 90 PSI
- Maximum pallet size 51.1" x 43.3" (footprint) and 86.6" tall
- Minimum pallet size 23.6" x 31.5" (footprint) and 19.7" tall

Corporate Headquarters

3301 Gateway Centre Blvd. | Pinellas Park, FL 33782
Tel: 727.578.3003 | Fax: 727.578.3007
www.filmsourceinternational.com
info@filmsourceinternational.com

